



13 Place Dishwasher

Stainless Steel / Dark Stainless Steel

Model Numbers: HV-D13SS / HV-D13DSS

INSTRUCTION MANUAL

AFTER SALES SUPPORT

(AU) 1300 886 649 (NZ) 0800 836 761



Contents

03	General Safety Instructions
06	Product Overview
09	Installation
14	Features
16	Instructions
28	FAQs and Troubleshooting Guide
32	Other Useful Information

General Safety Instructions

IMPORTANT SAFETY INSTRUCTIONS READ CAREFULLY AND KEEP FOR FUTURE REFERENCE

Read this manual thoroughly before first use, even if you are familiar with this type of product. The safety precautions enclosed herein reduce the risk of fire, electric shock and injury when correctly adhered to. Keep the manual in a safe place for future reference, along with the completed warranty card and purchase receipt. If applicable, pass these instructions on to the next owner of the appliance.

Always follow basic safety precautions and accident prevention measures when using an electrical appliance, including the following:

Pay particular attention to safety messages that follow the words:

DANGER, WARNING and CAUTION.

These words are used to alert you to a potential hazard that can seriously injure you and others. The instructions will tell you how to reduce the chance of injury and let you know what can happen if the instructions are not followed.

DANGER means that failure to read this safety statement may result in severe personal injury.

WARNING means that failure to read this safety statement may result in extensive product damage or serious personal injury.

CAUTION means that failure to read this safety statement may result in minor or moderate personal injury, property or equipment damage.

Electrical safety and cord handling

- **Voltage:** Before connecting and turning on the appliance, ensure the electrical voltage and circuit frequency correspond to those indicated on the appliance rating label.
- **WARNING!** Ensure the outlet is properly earthed to the ground. If unsure, consult a qualified electrician or a service representative. Improper connection of the equipment grounding conductor can result in the risk of an electric shock if the appliance malfunctions.
- **WARNING!** Do not modify the cord and plug provided with the appliance; if it does not fit the outlet, have a proper outlet installed by a qualified electrician.
- **WARNING!** If the supply cord is damaged, do not use the appliance. A damaged cord must be replaced by the manufacturer or its service agent or a similarly qualified person in order to avoid a hazard. Contact our after sales support centre.
- **Connection:** Do not use an adaptor; do not use an extension cord. We recommend you connect the appliance to a separate circuit serving only this appliance.
- **Power cord:** Do not kink or damage the power cord. Position it out of the way so no one steps on or places anything on the cord or against it.

General Safety Instructions (Cont.)

- **Inserting/removing the plug:** Before you insert or remove the plug, make sure the appliance is switched off and the power is switched off at the electrical outlet. Remove by grasping the plug, do not pull on the cord.
- **CAUTION!** To reduce the risk of electric shock, do not immerse the unit, cord or plug in water or other liquid. Do not expose it to rain or moisture.
- **Auto switch off:** To save energy, in standby mode the appliance will switch off automatically when there is no operation in 30 minutes.
- **RCD:** Unless your home is already fitted with a residual current device (safety switch), we recommend installing an RCD with a rated residual operating current not exceeding 30 mA to provide additional safety protection when using electrical appliances. See your electrician for professional advice.
- **Winding the cord:** If winding the power cord, avoid tight bends as this could damage the cord.

Installation

- **WARNING!** If this dishwasher is installed incorrectly, the warranty will be voided.
- **WARNING!** Any electrical work required for the installation of this dishwasher should be carried out by a qualified, licensed electrician.
- **Power supply cord:** During installation, the power supply cord must not be excessively or dangerously bent or flattened. Do not tamper with the controls.
- **Safe disposal:** When removing an old dishwasher from service or discarding it, remove the door to the washing compartment.
- **Hose sets:** Only use new hose sets when connecting this dishwasher to the water supply; do not reuse old hoses.
- **Water pressure:** The maximum permissible inlet water pressure is 1 MPa. The minimum permissible inlet water pressure is 0.03 MPa (0.3–10 bar).
- **Flammable objects:** Do not install the appliance on or near any flammable or hot objects.
- **Ventilation:** If there are any ventilation openings in the base, make sure they are not obstructed by carpet.
- **Proper installation:** Install the dishwasher on an even, flat and stable ground. Do not operate your dishwasher unless all enclosure panels are properly in place.

Usage conditions and restrictions

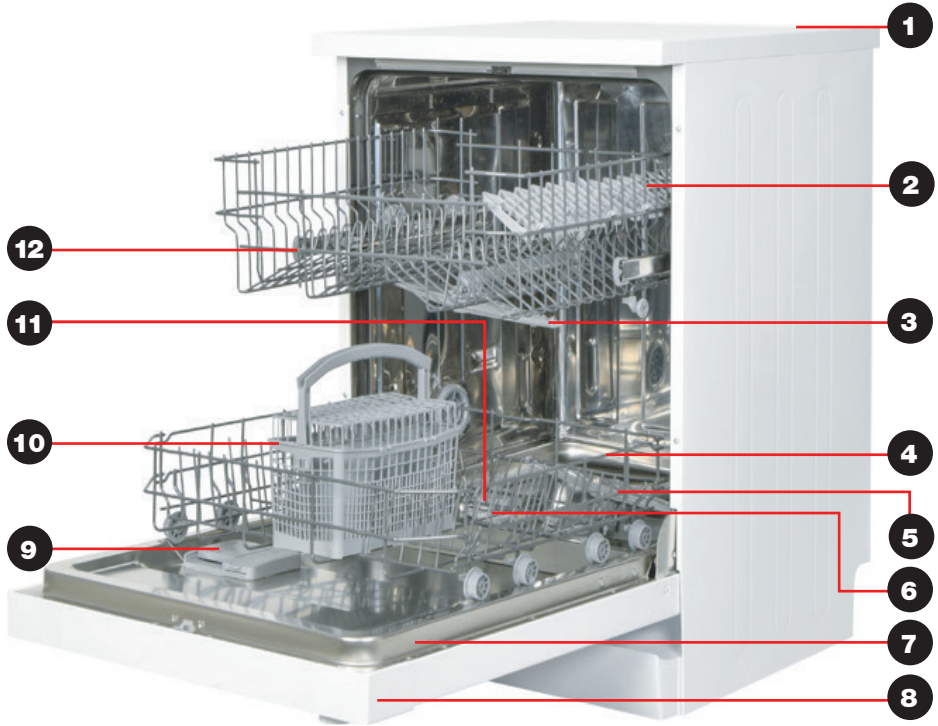
- **Domestic use only:** This appliance is intended for indoor household use only. It is not suitable for industrial, commercial or trade use. Do not use it for anything other than its intended purpose, and only use it as described in this manual.
- **Usage restriction:** The appliance is not intended for use by persons (including children) with reduced physical, sensory or mental capabilities, or lack of experience and knowledge, unless they have been given supervision or instruction concerning use of the appliance by a person responsible for their safety.

General Safety Instructions (Cont.)

- **Children** should be supervised to ensure they do not play with the appliance. Close supervision is necessary when any appliance is used by or near children.
- **WARNING!** Never leave the appliance unattended while in use.
- **Dishwasher door:** Do not abuse, sit on or stand on the door or dish rack of the dishwasher, or use it for anything other than its intended purpose. Do not place any heavy objects on the dishwasher door when it is open. The appliance could tip forward.
Open the door very carefully if the dishwasher is operating as there is a risk of water squirting out.
The door should not be left wide open as this could increase the risk of someone tripping over the door.
- **Safe loading:** Do not overload this dishwasher, it has a maximum capacity of 14 place settings. To ensure safe operation, follow a few simple rules when loading the dishwasher:
 - Place sharp items so they are not likely to damage the door seal.
 - **WARNING:** Knives and other utensils with sharp points must be loaded in the basket with their points down or placed in a horizontal position to avoid potential hazards.
 - Only wash plastic items that are marked dishwasher safe or the equivalent. For plastic items not marked, check the manufacturer's recommendations.
- **Dishwasher detergent:** Use only detergent and rinse additives designed for an automatic dishwasher and keep them out of reach of children. Never use liquid detergent (for manual washing up), soap or laundry detergent in your dishwasher.
DANGER! Some dishwasher detergents are strongly alkaline and can be extremely dangerous if swallowed. Avoid contact with the skin and eyes.
DANGER! When the door of the dishwasher is open, make sure to keep children away from the dishwasher. Even after a wash there could still be detergent left inside. Make sure that the detergent compartment is empty after completion of the wash cycle.
- **Cleaning:** Unplug before cleaning and performing maintenance on the appliance. Use a soft cloth moistened with mild detergent for cleaning the appliance, and then use a dry cloth to wipe it again.
- **Do not modify** or not attempt to alter this appliance or its controls in any way.
- **Repair:** Do not attempt to take the unit apart. Apart from regular maintenance as described in this manual, this appliance is not designed to be dismantled by the user. In case of damage or malfunction, have the unit repaired by trained personnel only, or contact the after sales support line for advice.
- **Misuse:** Inappropriate use can result in property damage, injury or death. We assume no liability for misuse of the appliance or noncompliance with these instructions.

Product Overview

Scope of delivery



Dishwasher: front view, open

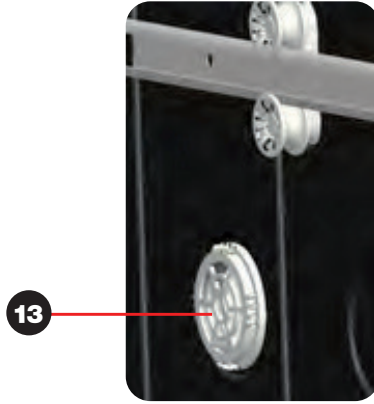
- | | | | |
|---|-------------------------|----|-----------------------------------|
| 1 | Worktop | 9 | Detergent and rinse-aid dispenser |
| 2 | Upper basket with racks | 10 | Cutlery basket (removable) |
| 3 | Upper spray arm | 11 | Salt dispenser |
| 4 | Lower basket | 12 | Upper basket tray latch |
| 5 | Lower spray arm | | |
| 6 | Filters | | |
| 7 | Rating plate | | |
| 8 | Control panel | | |

Please note: The colour of the dishwasher pictured above may be different to that of the dishwasher received. This picture is included for reference only.

Product Overview (Cont.)

Dishwasher: inner side view

- 13 Mini Active Drying Unit:**
This system helps provide better drying performance for your dishes



Documentation (not pictured)

Instruction manual
Quick start guide
Warranty card

NOTE: Due to continued product improvement, images and illustrations in this manual may vary slightly from the product purchased. All images in this manual are for reference purposes only. Parts are not necessarily pictured to scale.

Product Overview (Cont.)

Control panel

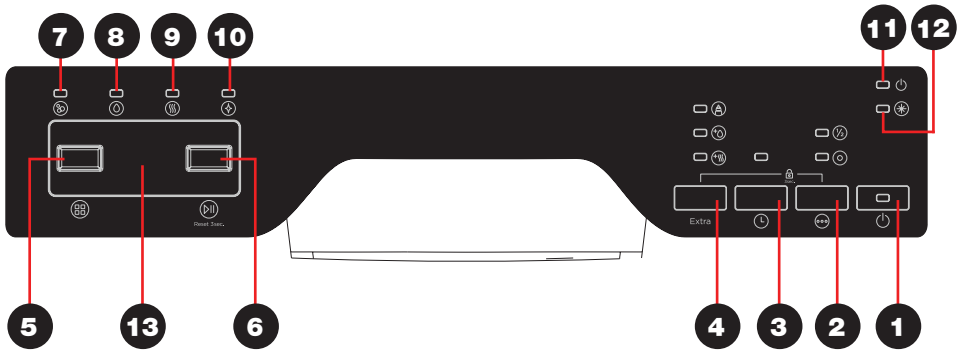


Table 1	Operation buttons/indicators	
1	POWER	Press this button to enter or exit the ready-to-use state.
2	OPTION	This button allows you to switch to the half-load function, and/or the tablet detergent function.
3	DELAY	Press this button repeatedly to increase the delay start time. You can delay a cycle for up to 19 hours in one-hour increments.
4	EXTRA	Press this button to select the hygiene, extra rinsing or extra drying functions. The hygiene function will change the temperature and time of the program to offer a more hygienic wash. The extra rinsing function will provide extra rinses, while the extra drying function will extend the drying duration of the program.
5	PROGRAM	Press this button to select the appropriate washing program (see page 14).
6	START/PAUSE	Use this button to start/pause a program.
7-10	STATUS INDICATOR LIGHTS	These lights will indicate the stage of the program; washing (7), rinsing (8), drying (9) and end (10).
11	POWER INDICATOR LIGHT	This light will illuminate to indicate that the machine is switched on.
12	RINSE AID INDICATOR LIGHT	This light will illuminate to indicate that the machine is running low on rinse aid.
13	DISPLAY SCREEN	Will display the selected program code/display time.

Installation

- DANGER!** Make sure your electrical power is disconnected before installing the dishwasher. Failure to do so can result in death or electric shock.
- IMPORTANT!** Make sure to use new water supply and drain hoses; do not use old hoses.
- IMPORTANT!** Read this manual to familiarise yourself with all parts and operating principles. Pay particular attention to the safety instructions.

Unpacking the appliance

- This product has been packaged to protect it against transportation damage. Unpack the appliance but keep all packaging materials until you have made sure your new dishwasher is undamaged and in good working order.
- The packaging carton is recyclable. Whenever possible, reuse the carton and recycle it when disposing of the packaging materials.
- Plastic wrapping can be a suffocation hazard for babies and young children, so ensure all packaging materials are out of their reach, and dispose of them safely.
- The baskets inside the dishwasher are taped to secure them during transport. Remove any tape, ties and foam padding from inside the dishwasher.
- **IMPORTANT!** Using the loading instructions on pages 20–24 for guidance, make sure all parts in the upper and lower baskets are properly installed inside the dishwasher – you may need to relocate the cutlery rack for appropriate usage.
- Unwind the cord to its full length and inspect it for damage. Do not use if damaged. In case of damage, contact our after sales support centre for advice.

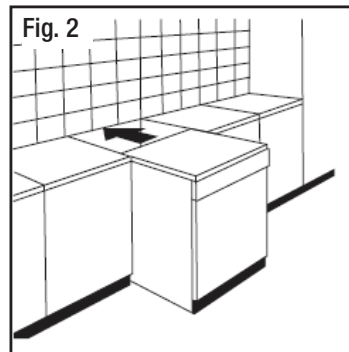
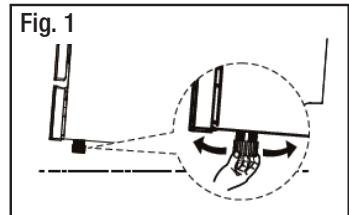
Positioning the appliance

- This dishwasher is freestanding. It can also be recessed under a single benchtop.
- Position the dishwasher close to an existing water inlet and drain connection and make sure there is a power point nearby, or in an adjoining cabinet. Take into consideration that the connections should not be altered once the machine is in position.
- Do not hold the machine by its door or panel.
- Leave an adequate distance around the machine to allow ease of cleaning.
- The back should rest against the wall behind it and the sides along any adjacent cabinets or walls.
- The dishwasher's water supply and drain hoses can be positioned either to the right or left sides to facilitate proper installation.
- Make sure the appliance does not stand on any water hoses or the power cable.
- Do not position in an area where the ambient temperature falls below 0°C.

Installation (Cont.)

Levelling the appliance

- Position the dishwasher on a level and sturdy floor.
- If the floor is uneven, adjust the adjustable feet until it reaches a horizontal position; just screw the feet in or out a little (Fig. 1).
- The appliance should not be inclined more than 2°.
- Correctly levelled, the appliance will be more stable and much less likely to move or cause vibrations and noise during operation.



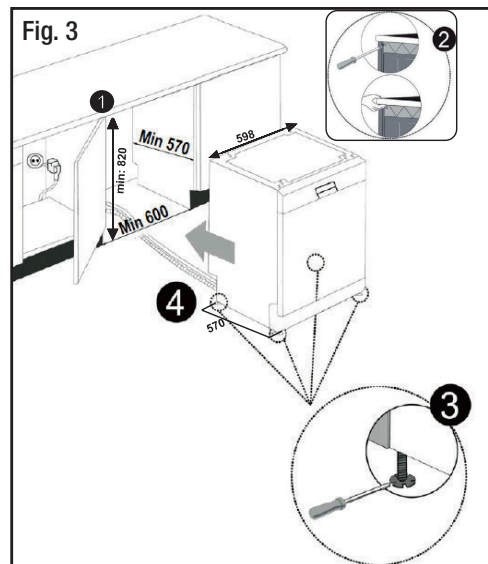
Freestanding installation

Between existing cabinets

- The height of the dishwasher, 850 mm, has been designed in order to allow the machine to be fitted between existing cabinets of the same height in modern fitted kitchens (Fig. 2).
- The feet can be adjusted so that the correct height is reached.

Underneath an existing worktop

- If you wish to fit the machine under an existing countertop, there must be sufficient space to do so (see Fig. 3, 1). The installation space must match these outlined dimensions.
- **WARNING:** The existing countertop must be stable, in order to prevent imbalance.
- If the space under the countertop is suitable for installing your machine, remove dishwasher's built-in worktop/top panel first.
- To do so, first remove the screws holding it in place, located at the rear of the machine. Then, push the panel 1 cm from the front towards the rear and lift it (Fig. 3, 2).
- Adjust the machine feet to account for the slope of the floor (Fig. 3, 3).
- Push the machine under the counter, taking care not to crush or bend the hoses (Fig 3, 4).



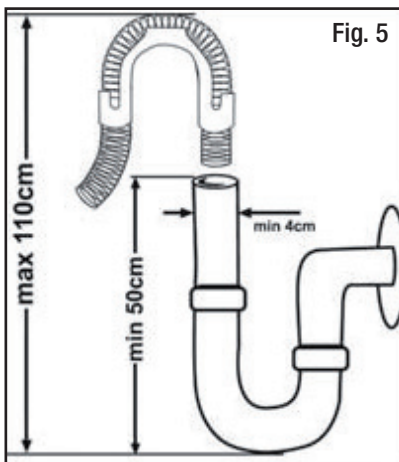
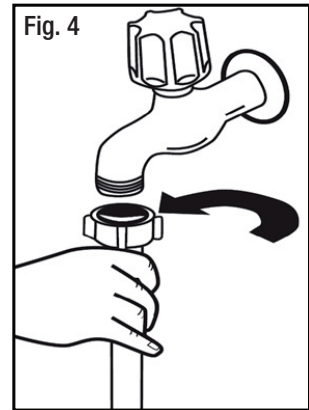
Installation (Cont.)

Water connection

- We recommend fitting a filter to your water inlet supply in order to prevent damage to your machine due to contamination (sand, rust, etc.) from indoor plumbing. This will also help prevent yellowing and deposit formation after washing.
- Only connect the water inlet hose to a cold water supply.
- **WARNING!** Always close the water tap after using the dishwasher.

Water inlet hose:

- Screw the hose to an appropriate faucet with a cold water supply (Fig. 4).
- **WARNING!** Use the new water inlet hose supplied with your machine, do not use an old machine's hose.
- **WARNING!** Run water through the new hose before connecting it.
- **WARNING!** Connect the hose directly to the water inlet tap. The pressure supplied by the tap should be a minimum of 0.03 MPa and a maximum of 1 MPa. If the pressure exceeds 1 MPa, a pressure relief valve must be fitted between the connection.
- **WARNING!** After the connections are made, turn the tap on fully and check for water leaks. Always turn off the water inlet tap after a wash program has finished.
- An Aquastop inlet hose has components that use 240 V. Do not damage it or allow it to become kinked or twisted.

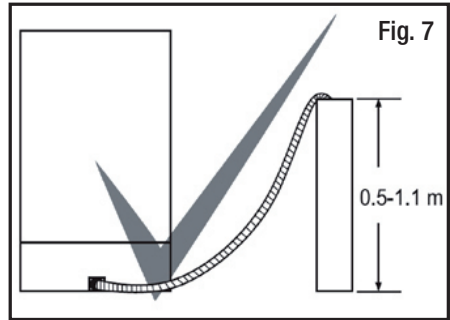
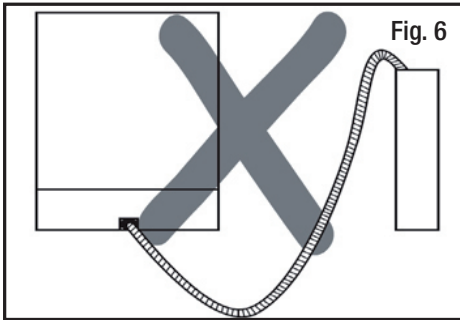


Drain hose connection

- The drain hose must be connected to the drain hose connector at the back of the dishwasher. Insert the drain hose into a drain pipe with a minimum diameter of 40 mm, or let it run into the sink, making sure to avoid bending, crimping or squashing it. The height of drain pipe must be greater than 500 mm and less than 1100 mm from the floor (Fig. 5). The free end of the hose must not be immersed in water to avoid the backflow of water.

Installation (Cont.)

- The drain hose must be correctly fitted in order to prevent water leaks. It should be connected at a height of no more than 1.1 m (maximum) and secured with a hose clip (Fig. 6 and Fig. 7).
- If you need to drain any excess water from hoses and the sink is higher than 1.1 m from the floor, you will need to drain the excess water into a bowl or container held underneath the pipe and lower than the sink.
- If you need a drain hose extension, make sure to use a similar hose that is no longer than 4 metres, otherwise the cleaning effect of the dishwasher could be reduced.



Installation (Cont.)

Electrical connection

Make sure that the electrical voltage and circuit frequency in your home correspond to those indicated on the appliance rating label and that the electrical system is sized for the maximum voltage on the rating plate. This appliance requires a 10 A fused, copper-wired electrical supply. A time delay fuse or circuit breaker is recommended, as well as provision of a separate circuit serving only this appliance. A suitable power outlet should be located in an adjacent cabinet.

To connect the dishwasher, insert the plug into a properly earthed, easily accessible electrical socket. If the socket is not appropriate for the plug, replace the socket rather than use an adaptor or the like as such devices could cause overheating and burns.

WARNING!

- Do not use an extension cord or an adaptor with this appliance.
- Do not bend the power cord. Do not place the appliance on top of the cord.
- Do not modify the plug provided with this appliance. If it does not fit into your power point, have a suitable outlet installed by a qualified electrician.

Earthing

This appliance must be earthed. In the event of a malfunction or breakdown, earthing will reduce the risk of an electric shock by providing a path of least resistance for the electric current. This appliance is equipped with a cord having an equipment-earthing conductor and an earthing plug. The plug must be plugged into an appropriate outlet that is installed and earthed in accordance with all local standards and requirements.

WARNING!

- Ensure the outlet is properly earthed to the ground. If unsure, consult a qualified electrician or a service representative. Improper connection of the equipment grounding conductor can result in the risk of an electric shock if the appliance malfunctions.
- Do not, under any circumstances, cut or remove the third grounding prong from the power plug.

Before first use

After your new dishwasher has been installed, and before using it for the first time, make sure to check the following points to ensure safe and efficient operation:

- Is the dishwasher level and properly installed?
- Is the water tap open?
- Are the hose connections secured tightly and there is no leakage at either end?
- Are all electrical cords tightly connected?
- Is the power switched on at the power point?
- Are the inlet and drain hoses free of knots and kinks?
- Has all packing material been removed from the dishwasher?
- Is all product documentation stored safely for easy access?

Features

Table 2		Wash programs and cycles
Program Code	Program	Suitability
P1	Quick 30' 40°C	For lightly soiled loads that need a quick wash.
P2	Delicate 40°C	For lightly soiled delicate dishes.
P3	ECO 50°	Standard program for normally soiled dishes, with reduced energy and water consumption.
P4	Super 50' 65°C	For normally soiled dishes that need to be washed quickly.
P5	Intensive 65°C	For heavily soiled dishes.

* The ECO 50° program was used for testing to the Australian standard AS/NZS 2007.1 (with 13 place settings, rinse aid setting on 4).

Features (Cont.)

Detergent (pre / main)	Running Time (min.)	Energy (kWh)	Water (L)
5 / 25 g	30	0.740	12.4
5 / 25 g (or all-in-1)	74	0.880	15.7
5 / 25 g (or all-in-1)	143	0.802	12.8
5 / 25 g (or all-in-1)	50	1.100	12.7
5 / 25 g (or all-in-1)	117	1.700	17.2

NOTE:

The program duration may change according to the amount of dishes, water pressure, ambient temperature and any selected additional functions.

Only use powder detergent in short programs.

Short programs do not include a drying stage.

To assist in drying, we recommend partially opening the door after the program has ended.

All temperatures listed are in °C.

Instructions

Before First Use

Preparing your dishwasher

- When using your dishwasher for the first time, it is important that you ensure you have removed all packaging material inside the machine.
- Additionally, make sure the electricity and supply water specifications match the values indicated in the installation instructions for the machine.
- If desired, fill the rinse aid compartment (see pages 17-19 for more information).

Dishwasher Detergent

WARNING!

- Only use detergent specifically made for use in dishwashers.
- Always add detergent just before starting the dishwasher, otherwise it could get damp and will not dissolve properly. **It is also a hazard to leave detergent in the dispenser where children can reach it when the door is open.**
- **Dishwasher detergent is corrosive! Take care to keep it out of reach of children.**

Dishwasher detergents have chemical ingredients that remove dirt, food and germs and transport them out of the dishwasher. Most commercially sold dishwasher detergents are suitable for this purpose; they come in powder or tablet form.

Based on their chemical composition, dishwasher detergents can be split into two basic types: conventional, alkaline detergents with caustic components and low alkaline, concentrated detergents with enzymes.

Concentrated detergent

Using an “eco” washing program together with a concentrated detergent is better for the environment and good for your dishes; such wash programs are specifically matched to the dirt-dissolving properties in the enzymes of concentrated detergent. For this reason, an “eco” wash program in which a concentrated detergent is used can achieve the same results that otherwise only an “intensive” program can achieve.

Detergent tablets

Detergent tablets of different brands dissolve at different speeds; some cannot dissolve and develop their full cleaning power during short wash programs.

To ensure the complete removal of detergent residues, we recommend choosing longer wash programs when using dishwasher detergent tablets. Never put detergent tablets into the interior section or the cutlery basket.

Adding detergent

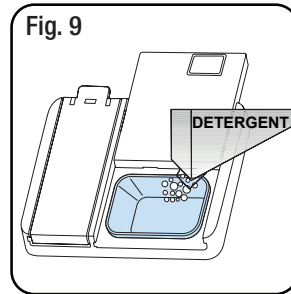
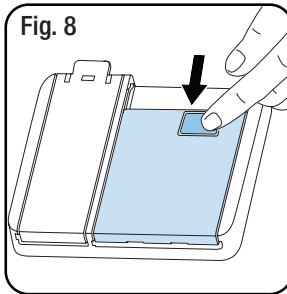
- Add the proper type and amount of detergent for the selected program to ensure the best performance. The amount of detergent needed depends on the type of program, as well as the load size and soil level of dishes.

Instructions (Cont.)

- Do not overfill the detergent compartment; this can result in whitish streaks or bluish layers on glasses and dishes, and may cause glass corrosion. Continued use of excessive detergent may cause damage to your machine.
- Using too little detergent can result in poor cleaning, and cause whitish streaks in hard water.
- Please see the detergent manufacturer's instructions for a further information.

Filling the compartment

- Push the latch to open the dispenser and pour in the detergent (Fig. 8 and Fig. 9).
- Close the lid and press it until it locks in place.
- **NOTE:** The dispenser should be refilled just before the start of each program.



Rinse aid

Rinse aid is automatically released during the last rinse to prevent water from forming droplets on your dishes, which can leave spots and streaks. It also improves drying by allowing water to roll off the dishes. Your dishwasher is designed to use liquid rinse aid.

CAUTION!

Only use specific, branded rinse aid for your dishwasher. Never fill the rinse aid dispenser with any other substances (e.g. dishwasher cleaning agent, liquid detergent) as this could damage the appliance.

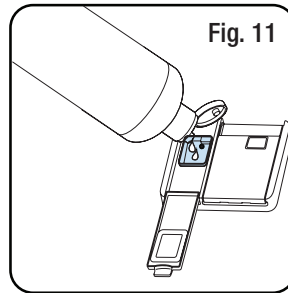
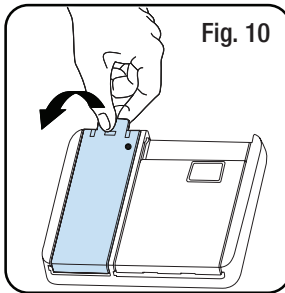
Instructions (Cont.)

Filling the rinse aid and adjusting the settings


- To fill the rinse aid compartment, open the rinse-aid compartment cap (Fig. 10).
- Fill the compartment with rinse aid to the MAX level (Fig. 11) and then close the cap.
- Be careful not to overfill the rinse aid compartment and wipe up any spills.

CAUTION!

Clean up any rinse aid spilled while filling with an absorbent cloth or paper towel to avoid excessive foaming during the next wash.
Do not forget to replace the cap before you close the dishwasher door.



When to refill the rinse aid dispenser

Fill the rinse aid dispenser when the warning light [] on the control panel comes on.

Adjusting the rinse aid dose

In order to change the rinse aid level, follow the below steps before turning on the machine:

- Open the door of the machine.
- Turn on the machine, and press the **PROGRAM** button as soon as the machine is turned on.
- Hold down the **PROGRAM** button until “rA” disappears.
- The factory setting is 4 (see the table below) - the machine will display the last set dose level. Change the level by pressing the **PROGRAM** button repeatedly.
- Turn off the machine to save the setting.
- If the dishes are not drying properly or are spotted, increase the level. If blue stains form on your dishes, decrease the level.

Instructions (Cont.)

Table 3		
Rinse aid doses		
Level	Dose	Indicator
1	Rinse aid is not dispensed	r1 is shown on the display
2	1 dose is dispensed	r2 is shown on the display
3	2 doses are dispensed	r3 is shown on the display
4	3 doses are dispensed	r4 is shown on the display
5	4 doses are dispensed	r5 is shown on the display

NOTE

If you are using detergent tablets that contain a rinse aid, you do not need to add liquid rinse aid and can ignore the rinse aid warning light when it comes on.

Instructions (Cont.)

Loading the dishwasher

For best performance of your dishwasher, follow the loading guidelines in this manual.

ATTENTION: Before loading the dishwasher baskets:

It is not necessary to rinse the dishes under running water before you put them into the dishwasher. However, we recommend you scrape off any large amounts of leftover food and soften remnants of burnt food in pots and pans.

Place objects in the dishwasher in the following way:

- Hollow items such as cups, glasses, pots, pans, etc. should be placed upside down so water cannot collect in the container or in a deep base.
- Curved items, or items with recesses, should be loaded at a slant so water can run off.
- All utensils should be stacked securely so they cannot tip over.
- All dishes and utensils should be placed in a way so the spray arms can rotate freely during washing.
- Very small items should not be washed in the dishwasher as they could easily fall out of the baskets and obstruct moving parts.
- Dishes and items of cutlery should not lie inside one another, or cover each other.
- To avoid damage to glasses, they must not touch.
- **WARNING!** Long bladed knives stored upright are a potential hazard! Always position these and other sharp cutlery items horizontally on the cup/cutlery racks.
- Do not overload your dishwasher; it will hold a maximum of 14 standard place settings. This is important for better washing results and lowers energy consumption.
- **WARNING!** Do not pull out the upper and lower basket at the same time, which can lead to the appliance tipping forward.

Protecting your glass and tableware

Much of today's tableware is dishwasher safe. However, not everything can be washed safely in a dishwasher. The chemical composition of your dishwasher detergent or the water temperature and duration of the wash program may adversely affect some materials. To protect your special cutlery, glass and tableware from damage, select a wash program with as low a temperature as possible (see pages 14–15 for program details).

We recommend you do not wash in a dishwasher the items listed below, and take special care with items deemed of limited suitability. And when buying new dishes, glassware, porcelain or cutlery, look for products labelled dishwasher safe.

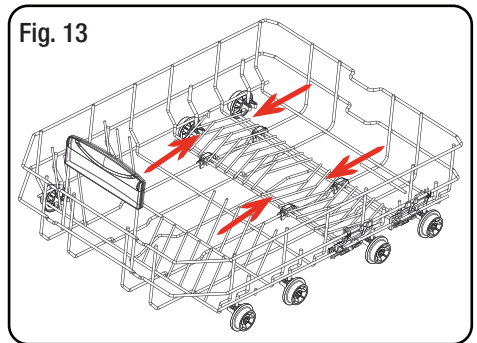
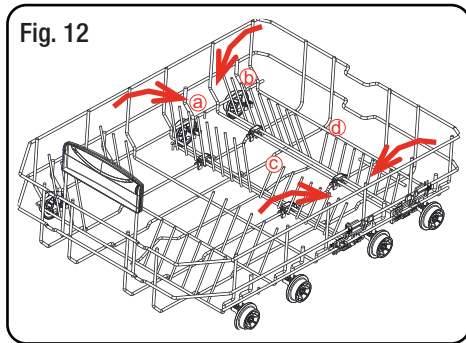
Not suitable for the dishwasher: cutlery with wooden, china or mother-of-pearl handles; plastic items that are not heat resistant; older cutlery with glued parts that are not temperature resistant; bonded cutlery items or dishes; pewter or copper items; lead crystal glass; steel items subject to corrosion (rusting); wooden platters, cigarette ashes, candle leftovers, polish, paint, chemical substances, iron-alloy materials, glued items, items soiled with abrasive, acidic or base chemicals, temperature-sensitive plastics, copper or tin-coated containers, aluminium and silver objects, some delicate glasses, ornamental printed porcelains; some crystal items, adhered cutlery, lead crystal glasses, cutting boards, synthetic fibre items, absorbent items such as sponges or kitchen rugs.

Instructions (Cont.)

Of limited suitability: some types of glasses can become dull with frequent machine washing; items made of silver and aluminium tend to discolour from machine washing; glazed patterns may fade with frequent machine washing.

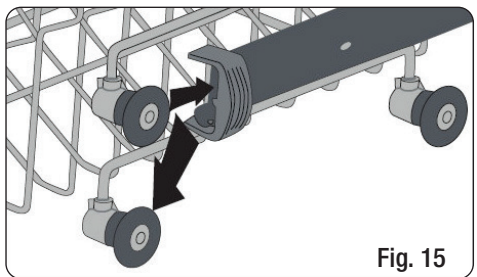
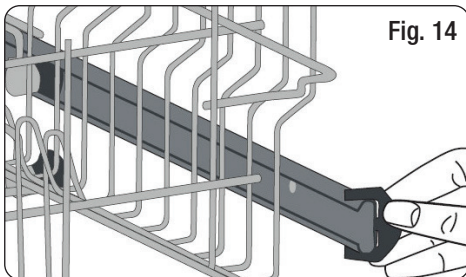
Four Folding Racks

The folding racks are designed so that large items, such as pots and pans, can be easily placed in the dishwasher. Each section can be folded separately. The racks can be folded down or raised up, as shown below (Fig. 12 and Fig. 13).



Adjusting the upper basket height

To adjust the height of the upper basket, turn the rail stop clips (at the ends of the rails) to the sides to open them (Fig. 14), then pull out and remove the basket. Change the position of the wheels, then reinstall the basket to the rail (Fig. 15), making sure to close the rail stop clips. When the upper basket is in the higher position, large items such as pans can be placed in the lower basket.



Instructions (Cont.)

Upper basket cutlery rack

The cutlery rack has been designed for the placement of long-stemmed utensils, as well as cutlery (Fig. 16).

The rack has four different positions (Fig. 17). Set it to position 1 or 2 depending on the position of items in the upper basket. Position 1 allows for the placement of cutlery.

Set the rack to position 3 or 4 if you do not want to use the cutlery rack.

Fig. 16

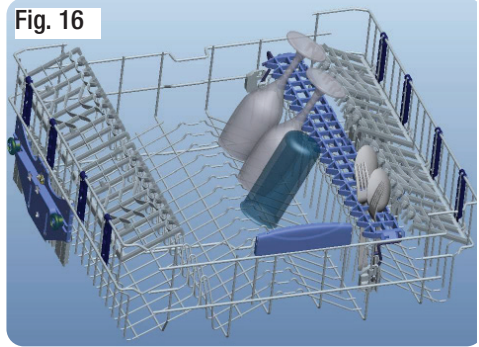
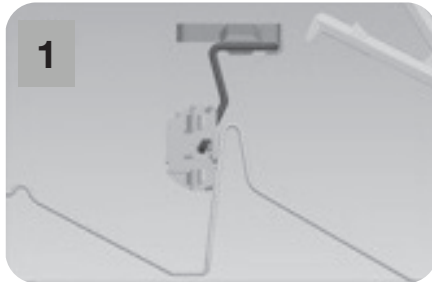
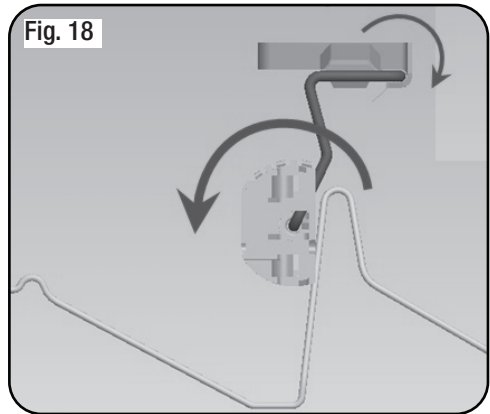
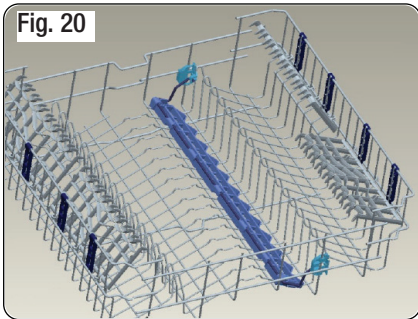
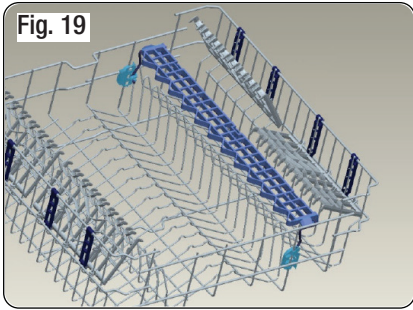


Fig. 17



Instructions (Cont.)

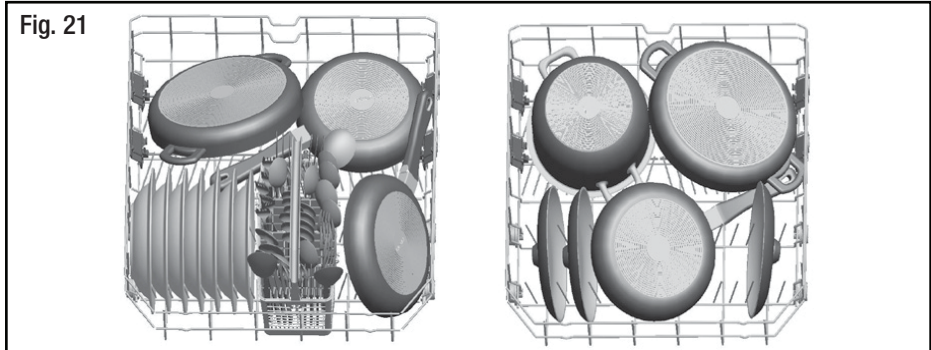
To make these adjustments, follow the directions in Fig. 18, Fig. 19, and Fig. 20.



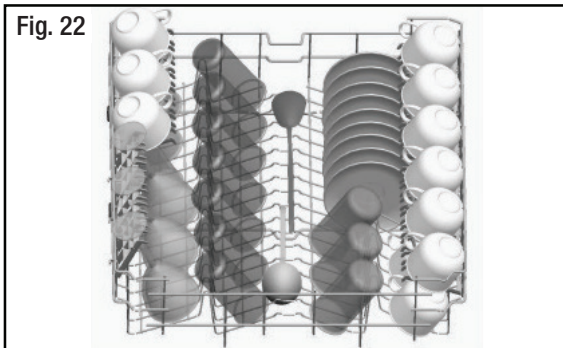
Instructions (Cont.)

Other Basket positions

Lower Basket

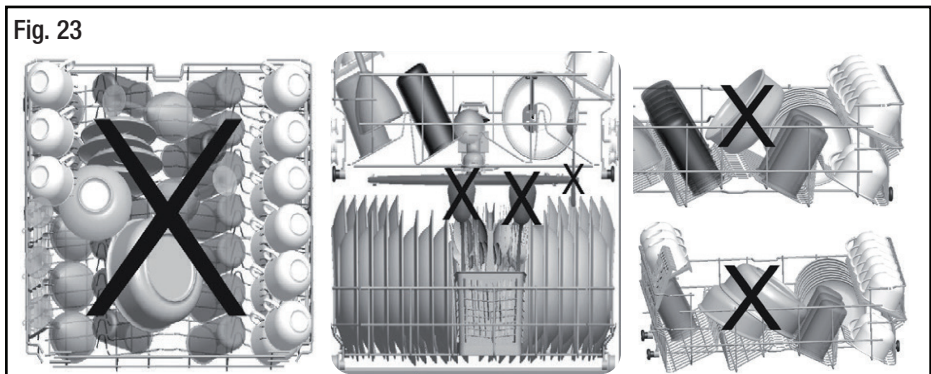


Upper Basket



Incorrect Loading






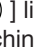

Incorrect loading can result in a poor washing and drying performance. Please follow the manufacturer's recommendations for the best results. Do not load as shown below (Fig. 23).



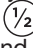


Instructions (Cont.)

Running the dishwasher

Starting a wash program


- Open the door and draw out the lower basket. Load your dishes and push the basket back into place. Then load the upper basket the same way (see pages 20-24 for details).
- Add dishwasher detergent according to the instructions (see pages 16–17).
- Unless you use dishwasher detergent tablets that contain a rinse aid, make sure there is sufficient liquid rinse aid in the rinse aid dispenser (see pages 17–19).
- Close the dishwasher door, making sure you hear a click when it closes properly.
- Insert the plug into a suitable power socket (the power supply is 240 V~ 50 Hz) and make sure the water supply is turned on to full pressure.
- Press the **POWER** button [] on the dishwasher control panel (see page 8). The power indicator will illuminate while the machine is on.
- Press the **PROGRAM** button [] repeatedly, to select the desired wash program from the following: P1 (Quick 30') - P2 (Delicate 40°C) - P3 (ECO 50°) - (P4) Super 50' - (P5) Intensive 65°C. See pages 14-15 for more program information.
- Press the **START/PAUSE** button [] to start the washing program (see page 8). Once the program starts, the washing light will illuminate and the program duration will be displayed.
NOTE: If you open the door of the machine whilst the program is running, the program code and program duration will be displayed alternately.
- You can follow the program flow with the washing [], rinsing [], drying [] and end [] lights on the control panel. Once the drying light has switched on, the machine will remain silent for 40 to 50 minutes.
- **NOTE:** We recommend you open the door slightly (about 5 cm) to assist in drying of the dishes after every wash.
- **NOTE:** Do not open the door until the program finishes.
WARNING! It is dangerous to open the door mid-cycle as hot water or steam may escape and scald you. Open the door very carefully.
- **NOTE:** If you open the door of the machine or if power is cut during the washing cycle, the program will resume once the door has been closed or the power has turned back on again.

Half load feature




- If you are washing a smaller amount of dishes, you can set the “half load” function []. This option will shorten the durations of the selected programs to reduce power and water consumption.
- To activate this function, press the **OPTION** button [] once.
- If you are using combined detergents that contain salt, rinse aid or extra features, press the **OPTION** button for the second time and activate the tablet [] function.

Instructions (Cont.)

Setting a delayed start

- Press the **DELAY** button [] repeatedly before the program starts to set a delay start time of 1-19 hours.
- If you want to change the delay time, press the Start/Pause button first, and then press the **DELAY** button to select the new delay time. Press Start/Pause button to activate the new delay time.
- To cancel the delay, press the **DELAY** button until the delay time is 0h. If you switch off the machine after selecting the delay time and starting the program, the delay time will be cancelled.

Setting extra functions

- To set an extra function, press the **EXTRA** button [Extra] repeatedly until the corresponding indicator light of that function has illuminated.
- **Hygiene function** []: When the hygiene function is active, the washing process will become more hygienic, through adjustments made to the washing temperature and durations of the current program.
- **Extra rinsing function** []: If you select the extra rinsing function, additional rinses will be added to the selected program, making your dishes cleaner and shinier.
- **Extra drying function** []: If you select the extra drying function the drying duration of the selected program will extend, making your dishes drier.
- If you have used any extra function in the washing program, the function will still be active in the next washing program. If you want to cancel that function for the newly selected program, press and hold the button of the relevant function until the corresponding lights go off, or press the **POWER** button to switch off the machine. If you want to use an extra function for the newly selected program, select the desired function(s).
- **IMPORTANT:** “Hygiene” and “Extra drying” functions cannot be selected at the same time as they are incompatible with each other.

Changing a program

If you want to change the wash program, you must do so soon after the start, otherwise the detergent may have already been released and the wash water drained, in which case you must refill the detergent dispenser (see pages 16–17).

- Press the **START/PAUSE** button to pause the machine.
- Once the program has stopped, press the **PROGRAM** selection button repeatedly to select the desired program.
- Press the **START/PAUSE** button to start the newly selected program.
- The newly selected program will continue in place of the previous program.

Instructions (Cont.)

Cancelling a program

If you want to change the wash program, you must do so soon after the start, otherwise the detergent may have already been released and the wash water drained, in which case you must refill the detergent dispenser (see pages 16–17).

- Press and hold the **START/PAUSE** button for 3 seconds.
- End light will flash during the cancelling process. The machine will drain the water inside for about 30 seconds
- After the “end” light has lit, press the **POWER** button to switch off the machine.
- Unplug the appliance. Turn off the water tap.

Using the Child Lock

- Press the **EXTRA** and **OPTION** button simultaneously for 3 seconds to activate the Child Lock. At that time, on the remaining time indicator, “CL” is displayed for 2 seconds. To deactivate this function, again, press **EXTRA** and **OPTION** buttons at the same time for 3 seconds. “CL” will flash twice.

At the end of the wash program

The machine will enter standby state at the end of the program.

- You may press the **POWER** button to shut down the unit.
- Open the door — take care when opening the door as hot steam may escape.
- Leave the door ajar and wait at least a few minutes before unloading the dishwasher to avoid handling the dishes and utensils while they are still hot and more susceptible to breakage. They will also dry better. We recommend allowing dishes to cool for around 15 minutes before removing them from the dishwasher.
- When unloading the dishwasher, empty the lower basket first and then the upper one so water from the upper basket will not drip onto the dishes in the lower basket.

CAUTION! Do not pull out both the upper and lower basket at the same time, which may lead to the appliance tipping forward.

- It is normal that the dishwasher is wet inside. You may wipe the inside of the door with a dry cloth or leave the door slightly ajar for moisture to evaporate.

NOTE: If you are not going to use the dishwasher for a period of time, please shut off the water supply.

FAQs and Troubleshooting Guide

The table below lists possible causes and solutions for common problems you may encounter with the dishwasher. If you follow all the instructions below but still cannot solve a problem, please contact our after sales support centre.

Table 4		Troubleshooting guide	
Problem		Possible cause	Solution
Technical problems	The dishwasher does not start.	The fuse is blown or the circuit breaker is activated.	Replace the fuse or reset the circuit breaker. Unplug any other appliances on the same circuit with the dishwasher.
		The power supply is not turned on.	Ensure the power and the dishwasher are turned on, the cord is properly plugged in and the door is closed securely.
		The water pressure is low.	Check that the water supply is connected properly and the water is turned on.
		The dishwasher door is not properly closed.	Close the door properly and latch it.
	Water is not pumped out.	Kink in the drain hose.	Check the drain hose and ensure there are no kinks.
		The filter is clogged.	Check and clean the coarse filter.
		The kitchen sink is clogged.	Check and ensure the kitchen sink drains well. If the problem is the kitchen sink not draining, you may need a plumber rather than a dishwasher service technician.
Noise problems	Some audible sounds are normal, such as sound from water spraying, food remnants being shredded and the detergent dispenser opening.		
	Knocking noise in the wash tub	A spray arm is knocking against an item in a basket.	Interrupt the program and rearrange the items that are obstructing the spray arm.
	Rattling noise in the wash tub	Utensils are not secure in the baskets or something small has dropped out of the baskets.	Interrupt the program and rearrange the loose crockery/cutlery items.
	Knocking noise in the water pipes	This may be caused by on-site installation or the cross section of the piping.	This has no influence on the dishwasher function. If in doubt, contact a suitably qualified plumber.

FAQs and Troubleshooting Guide (Cont.)

Table 4		Troubleshooting guide	
Problem		Possible cause	Solution
General problems	Suds in the tub	Inappropriate detergent	Use only specific dishwasher detergent to avoid suds. If this occurs, open the dishwasher and let the suds evaporate. Add 3–4 litres of cold water to the tub, close the door securely, then run any program. The dishwasher will drain out the water at the first step. Open the door after draining has stopped and check if the suds have disappeared. Repeat, if necessary.
		Spilled rinse aid	Always wipe up rinse aid spills immediately.
		A small amount of clean water around the outlet on the tub bottom is normal. It keeps the water seal lubricated.	
	White film on inside surface of the tub	Hard water minerals	To clean the interior, use a dishwasher cleaner made specially for that purpose, or use a damp sponge with dishwasher detergent and wear rubber gloves.
	Rust stains on cutlery	The affected items are not corrosion resistant.	Cutlery must be corrosion resistant and dishwasher safe.
Unsatisfactory washing result	Dishes are not clean.	Wrong program selection	Select a more intensive wash program.
		Improper basket loading	Make sure the action of the detergent dispenser and spray arms are not blocked by large tableware.
		The filters are not clean, or incorrectly fitted, which may cause the spray arm jets to get blocked.	Clean and/or fit the filter assembly correctly. Clean the spray arm jets.
	Cloudiness on glassware	Combination of soft water and too much detergent	Use less detergent if you have soft water, and select a shorter program when washing glassware.
	Black or grey marks on dishes	Aluminum utensils have rubbed against dishes.	Use a mild abrasive cleaner to eliminate those marks. Avoid washing aluminium utensils in the dishwasher.
	Detergent left in dispenser	Incorrectly loaded dishes prevent the detergent cover from opening.	Reload the dishes properly to ensure nothing is blocking the detergent cover.

FAQs and Troubleshooting Guide (Cont.)

Table 4		Troubleshooting guide	
Problem		Possible cause	Solution
Unsatisfactory drying result	Dishes are not dried.	Improper loading	Load the dishwasher as suggested in this manual.
		Too little rinse aid	Increase the amount of rinse aid. Remove the cap from the rinse aid dispenser and set the dosage dial to a higher number.
		No rinse aid	Refill the rinse aid dispenser.
		Dishes are removed too soon after the program has finished.	Do not empty your dishwasher immediately after washing. Open the door slightly so that the steam can escape. Wait at least 15 minutes before unloading. Only start unloading the dishwasher when the dishes are barely warm to the touch. Empty the lower basket first to prevent water from dropping off dishes in the upper basket onto the dry dishes in the lower basket.
		Wrong program selection	In shorter programs the rinse temperature is generally lower. This also lowers the drying performance. Choose a longer program with a higher rinse temperature.
		Use of cutlery with a lower-quality coating	Water drainage is more difficult with these items. Cutlery or dishes of this type are not suitable for washing in the dishwasher.

FAQs and Troubleshooting Guide (Cont.)

Error codes

When there is a malfunction, some of the indicator lights on the control panel will start flickering in order to warn you that something is wrong.

Table 5 Error codes		
Code	Meaning	Possible solution
F5	Insufficient water	Make sure the water inlet tap is open and flowing.
		Separate the inlet hose from the tap and clean the filter of the hose.
		Call for service if the error continues.
F3	Continuous water input	Close the tap and contact for service,
F2	Inability to discharge water	Water discharge hose and/or filter may be clogged.
		Cancel and restart the program.
		Call for service if the error continues.
F8	Heater error	Call for service.
F1	Overflow	Unplug the machine and close the tap.
		Call for service if the error continues.
FE	Faulty electronics card	Call for service.
F7	Overheating	Call for service.
F9	Divisor position error	Call for service.
F6	Faulty heater sensor	Call for service.

WARNING!

- If the code indicates a malfunction, overflow or leakage, shut down the dishwasher, turn off the power and close the water supply. Then call our after sales support center for advice, or contact a suitably qualified service technician
- If there is water in the base of the tub because of an overfill or small leak, make sure to remove the water before restarting the dishwasher.

Other Useful Information

Cleaning and Maintenance

Cleaning your dishwasher is important to maintain the machine's service life

Oil and limescale may build up in your dishwasher over time. If this occurs, switch on the dishwasher but do not load any dishes. Select a high temperature program, such as X and run the empty dishwasher. If this does not clean your dishwasher sufficiently, use a cleaning agent designed for use in dishwashers.

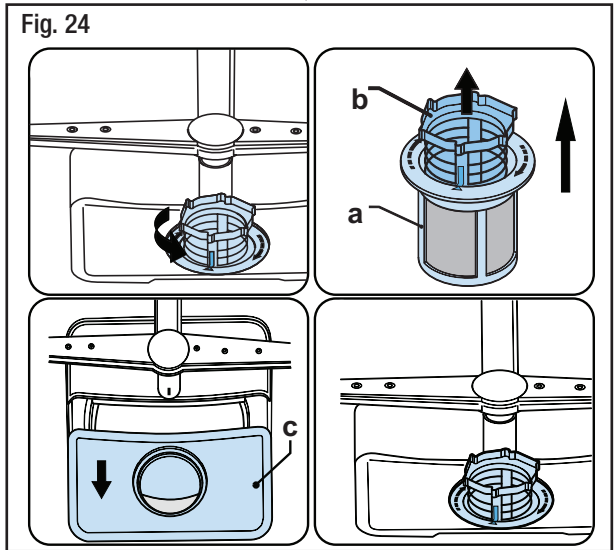
To extend the life of your dishwasher, clean the appliance regularly - at least every month. Wipe the door seals regularly with a damp cloth to remove any accumulated residue or foreign objects.

Filters

We recommend cleaning the filters and spray arms at least once a week. If any food waste or foreign objects remain on the coarse and fine filters, remove them and clean them thoroughly with water.

To remove and clean the filter combination, turn it counter clockwise and remove it by lifting it upwards. Pull the coarse filter out of the micro filter, then pull and remove the metal filter. Rinse the filter with lots of water until it is free of residue. Reassemble the filters, then replace the filter insert, and rotate it clockwise (Fig. 24).

NOTE: Clean filters are necessary for proper running of the machine.



WARNING!

- When cleaning the filters take care not to contort their shape, which could compromise the washing performance.
- Do not overtighten the filters. Put the filters back in sequence securely, otherwise coarse debris could get into the system and cause a blockage.
- Never use the dishwasher without the filters. Improper replacement of the filters may reduce the washing performance and damage dishes and utensils.

Other Useful Information (Cont.)

Spray arms

Make sure that the spray holes are not clogged and that no food waste or foreign objects are stuck to the spray arms (Fig. 25). If there is any clogging, remove the spray arms and clean them under running water.

To remove the upper spray arm, undo the nut holding it in position by turning it clockwise and pulling it downwards. Make sure that the nut is properly tightened when refitting the upper spray arm.

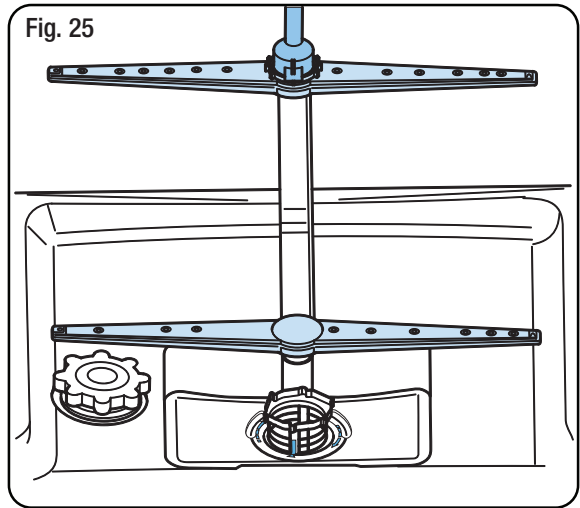


Fig. 25

WARNING!

Risk of cuts! When cleaning the waste water pump, ensure that you do not injure yourself on pieces of broken glass or pointed implements.

Drain pump

Large amounts of food residue, or any foreign objects not captured by the filters may block the waste water pump. The rinsing water will then be above the filter. Please clean/maintain the drain pump regularly to avoid this.

- Before cleaning the drain pump, always disconnect the appliance from the power supply.
- Take out the baskets, and remove the filters (see page 32).
- Scoop out any water, using a sponge if required.
- Check the drain pump area, and remove any foreign objects or food residue.
- Re-install the filters.
- Re-insert the baskets.

Cleaning the exterior of the appliance

Clean the door seals regularly with a soft damp cloth to remove food deposits.

When the dishwasher is being loaded, food and drink residues may drip onto the sides of the dishwasher door. These surfaces are outside the wash cabinet and are not accessed by water from the spray arms. It is therefore important that you wipe off any deposits before you close the door.

If the control panel is dirty, wipe it with a soft, damp cloth only and dry thoroughly.

Other Useful Information (Cont.)

CAUTION!

- To prevent penetration of water into the door lock and electrical components, do not use a spray cleaner of any kind.
- Never use sharp objects, harsh or abrasive cleaners or scouring pads on any dishwasher surface because they will scratch the finish. Some papers towels may also scratch or leave marks on the surface.

Looking after your dishwasher

- **After every wash**, turn off the water supply to the appliance and leave the door slightly ajar so moisture and odours are not trapped inside.
- **Before cleaning** or performing maintenance, always unplug the dishwasher from the socket.

No solvents or abrasive cleaning

- To clean the exterior and rubber parts of the dishwasher, do not use solvents or abrasive cleaning products. Only use a cloth with warm, soapy water.
- To remove spots or stains from the surface of the interior, use a cloth dampened with water and a little white vinegar, or a cleaning product made specifically for dishwashers.
- Clean the door seals periodically with a damp sponge to remove any trapped food remnants and prevent odours developing inside the dishwasher.

In special situations

Going on holidays

When your dishwasher is not going to be used for some time, we recommend you run a wash cycle with the dishwasher empty and then unplug the dishwasher from the socket, turn off the water supply and leave the door slightly open. This will help with door seal durability and odour prevention inside the appliance.

Moving the dishwasher

If you must move the dishwasher, try to keep it in a vertical position. Only put it on its back if absolutely necessary.

Other Useful Information (Cont.)

Frost protection

If your dishwasher is left in an unheated place during winter and temperatures are likely to drop to below zero degrees Celsius, you should take certain precautions to prevent water freezing in the pipes. Unplug the dishwasher from the electrical power supply and turn off the water supply. Then ask an authorised service technician to:

- Disconnect the water inlet pipe from the water valve.
- Drain any water from the inlet pipe and water valve (use a pan to catch the water).
- Reconnect the water inlet pipe to the water valve.
- Remove the filter assembly from the bottom of the dishwasher and wipe up any water left in the sump with an absorbent sponge.

If your dishwasher does not work because of ice, contact a qualified service technician.

Service, repair and spare parts

If the appliance is damaged, do not attempt to repair it yourself. Do not disassemble or modify the appliance. If it requires repair or service, please contact our after sales support centre to arrange for a service.

Our after sales support centre stocks a wide range of spare parts for the dishwasher. To purchase a part, call the centre on 1300 886 649.

Adjustable foot

Cutlery rack

Dispenser

Filter handle

Upper basket assembly

Cutlery basket

Cylindrical filter

Drain hose

Lower basket

Upper basket guide (left and right)

Other Useful Information (Cont.)

Technical specifications

Table 6	Specifications
Model Number	HV-D13SS / HV-D13DSS
Capacity	13 place settings
Rated voltage/frequency	220–240 V~ / 50 Hz
Total current	10 A
Total power	1900 W
Water supply pressure	Maximum: 1 Mpa, Minimum: 0.03 Mpa
Height	850 mm
Width	598 mm
Depth	with door closed: 598 mm with door open 90°: 1160 mm
Weight	approx. 40.2 kg



The RCM Mark (Regulatory Compliance Mark) indicates that the product complies with the relevant guidelines of the ACMA as well as corresponding government requirements for the safety of electrical devices.

Compliance

This product has been fully tested and meets all requirements as set out by standards AS/NZS 60335.1 and AS/NZS 60335.2.5.

Responsible disposal



Packaging materials are recyclable. Please dispose of them responsibly for recycling.



At the end of its working life, do not throw this appliance out with your household waste. Electrical and electronic products contain substances that can have a detrimental effect on the environment and human health if disposed of inappropriately. Observe any local regulations regarding the disposal of electrical consumer goods and dispose of it appropriately for recycling.

Contact your local authorities for advice on recycling facilities in your area. Or find recycling scheme services listed on Planet Ark's website at www.recyclingnearyou.com.au, or call Planet Ark on 1300 733 712.

This page has been left blank intentionally.

This page has been left blank intentionally.

This page has been left blank intentionally.

Warranty returns

Should you for any reason need to return this product for a warranty claim, make sure to include all accessories with the product.

Product does not work?

If you encounter problems with this product, or if it fails to perform to your expectations, make sure to contact our After Sales Support Centre on (AU) 1300 886 649 or (NZ) 0800 836 761 for advice.

Distributed by Tempo (Aust) Pty Ltd ABN 70 106 100 252

PO BOX 132, Frenchs Forest NSW 1640, Australia

Customer Helpline:

(AU) 1300 886 649 (NZ) 0800 836 761

Web Support: tempo.org/support

For an electronic copy of this manual, please contact our after sales support centre.