



90 cm Undermount Rangehood

Model Number HV-C90RU

INSTRUCTION MANUAL

AFTER SALES SUPPORT
(AU) 1300 886 649 (NZ) 0800 836 761



Contents

- 03 General Safety Instructions**
- 06 Product Overview**
- 07 Installation**
- 14 Instructions**
- 15 FAQs & Troubleshooting Guide**
- 16 Other Useful Information**

General Safety Instructions (Cont.)

IMPORTANT SAFETY INSTRUCTIONS READ CAREFULLY AND KEEP FOR FUTURE REFERENCE

Read this manual thoroughly before first use, even if you are familiar with this type of product. The safety precautions enclosed herein reduce the risk of fire, electric shock and injury when correctly adhered to. Keep the manual in a safe place for future reference, along with the completed warranty card and purchase receipt. If you sell or transfer ownership of this product, pass on these instructions to the new owner.

Always follow basic safety precautions and accident prevention measures when using an electrical appliance, including the following:

Important installation precautions

- **WARNING:** All electrical work associated with the installation of this rangehood must be carried out by a licensed electrician.
- **WARNING:** This rangehood must be installed by a suitably qualified person in strict accordance with all instructions in this manual.
- **Ventilation:** As heat, steam and moisture will be created during use of the appliance, take care to avoid injury and ensure that the room is adequately ventilated. Additional ventilation may be required if the appliance is going to be used for prolonged periods of time or at the same time as appliances burning gas or other fuels. Consult your installer if you are in doubt about the amount of ventilation required.
- **Electrical fittings and cables:** Do not allow electrical fittings or cables to come into contact with areas on the associated equipment (cooktop or stove) that get hot.
- **Air discharge:** The exhaust air must not be discharged into a flue which is used for exhausting fumes from appliances burning gas or other fuels.
- **External air evacuation:** Make sure to follow your local laws that apply to external air evacuation when installing and using the rangehood.
- **Clearances:** This rangehood is designed for top-mounted installation in a cabinet above a cooking appliance, at a distance of 65-75 cm from the cooking surface. Refer to pages 7-13 for comprehensive installation instructions.
- **Installation:** Install the rangehood onto the bottom of the cupboard and secure it in place with the twelve supplied ST4x18 mm screws.
WARNING: Failure to install the screws or fixing device in accordance with these instructions may result in electrical hazards!

General Safety Instructions (Cont.)

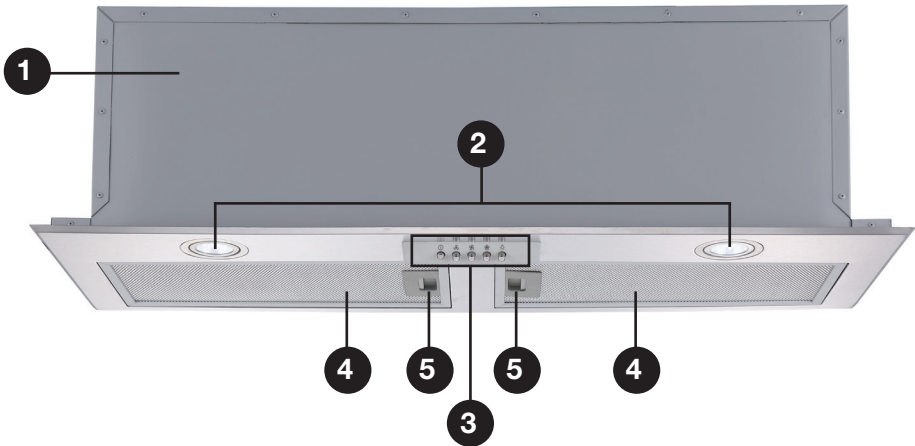
Electrical safety and usage conditions

- **Voltage and frequency:** Before plugging the unit into an appropriate electrical outlet, make sure your outlet voltage and circuit frequency correspond to the voltage stated on the appliance rating label.
- **Power cord:** Check the cord regularly for damage. Do not use the appliance if any part, including the cord, is damaged. A damaged cord must be replaced by the manufacturer or a similarly qualified person in order to avoid a hazard.
- **Disconnect:** Before cleaning the rangehood, make sure to switch it off and unplug it from the electrical supply. Do not disconnect the appliance with wet hands. Grip by the plug, do not pull by the cord when disconnecting.
- **Domestic use only:** This rangehood is designed for indoor domestic use only. It can be built into a standard kitchen cabinet or housing unit following the instructions. Not intended for commercial, trade or industrial use.
- **Intended purpose:** Only use this rangehood for its intended purpose, in its intended environment and as described in this manual. Any other use may cause fire, electric shock or injury.
- **Use common sense:** These instructions are not intended to cover every possible condition and situation. As with any electrical household appliance, common sense and caution are therefore always recommended when installing, operating and maintaining the equipment.
- **Usage restriction:** This rangehood is not intended for use by persons (including children) with reduced physical, sensory or mental capabilities, or lack of experience and knowledge, unless they have been given supervision or instruction concerning use of the appliance by a person responsible for their safety.
- **Children:** Supervise children to ensure they do not play with the appliance. Close supervision is necessary when any appliance is used by or near children.
- **No timer:** The appliance is not intended to be operated by means of an external timer or separate remote control system.
- **CAUTION:** Take care when the rangehood is operating simultaneously with an **open fireplace or burner** that depend on air from the environment and are supplied by other than electrical energy, as the rangehood removes air from the environment which a burner or fireplace needs for combustion.
- **Ventilation:** The rangehood removes air from the environment during use. Always provide adequate ventilation for safe operation of the rangehood. This is particularly important when the rangehood is used at the same time as flued heaters burning gas or other fuels.
- **Unattended:** Do not leave the rangehood unattended during use.

General Safety Instructions (Cont.)

- **CAUTION: No open flame cooking!** Do not use an open flame for cooking underneath this rangehood; do not flambé under the rangehood. Open flames can damage the filters and present a fire hazard.
- **After use:** Always switch off the rangehood after use and before cleaning.
- **CAUTION:** Do not touch the light bulbs after the appliance has been used as they may be hot. Let them cool down before cleaning and maintenance.
- **CAUTION:** Accessible parts may become hot when used with cooking appliances.
- **WARNING: Fire risk!** Clean your rangehood regularly as instructed in this manual. There is a fire risk if cleaning is not carried out in accordance with the instructions.
- **Cleaning:** Before cleaning the rangehood or carrying out maintenance, make sure the operation and light switches are set to the “0” position and the rangehood is disconnected from the power supply. Wipe the exterior surface of the rangehood regularly using a soft cloth moistened with a household solvent such as methylated spirits, or with a sponge dampened with water and a little non-abrasive liquid detergent.
- **No steam cleaning:** Never use a steam cleaner for cleaning the appliance.
- **Filter maintenance:** The aluminium mesh filters must be cleaned regularly (at least every two months) in order to prevent a fire hazard. Regular cleaning also ensures better efficiency, as grease and grime can impede the airflow. If you are using the rangehood with the air recirculating back into the room, ensure to change the charcoal filters regularly (every three to six months, depending on usage). Refer to pages 16-17 for comprehensive cleaning instructions.
- **Filters:** Do not check the status of the filters while the rangehood is in use.
- **Lamp:** The appliance contains two round 1.5 W LED Lamps (12 V $\overline{=}$, 70 mm diameter). When they need replacing, only replace them with lamps of the same type and wattage. Refer to page 17 for replacement instructions, and page 18 for information on how to purchase a replacement lamp.
- **Damage:** Do not use the rangehood if any part, including the supply cord, has been damaged, is faulty or does not work properly. Only have it repaired by an authorised service centre. Incorrect repair could expose you to the risk of electric shock, fire or injury. Prolonged use of the unit in such conditions could cause fire or electrocution. In case of damage, contact our after sales support line for advice.
- **Misuse:** We assume no liability for any eventual damages caused by incorrect installation, product misuse or noncompliance with the instructions.

Product Overview



Scope of delivery

Rangehood

- 1 Rangehood housing
- 2 Lights
- 3 Control panel
- 4 Aluminium mesh filters
- 5 Lock catch for aluminium filter

Installation kit (individual parts are illustrated opposite)

Documentation (not shown)

- Instruction manual
- Quick start guide
- Warranty card

NOTE: Due to continued product improvement, images and illustrations in this manual may vary slightly from the product purchased. All images in this manual are for reference purposes only. Parts are not necessarily pictured to scale.

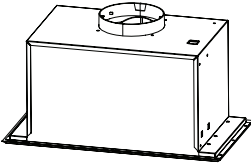

Installation

Unpacking

- This product has been packaged to protect it against transportation damage. Unpack the appliance and remove all packaging materials from around the rangehood. Keep all packaging materials in a safe place. It will help prevent any damage if the product needs to be transported in the future, and you can use it to store the appliance. Whenever possible, reuse the carton and recycle it when disposing of the packaging materials.
- Plastic wrapping can be a suffocation hazard for babies and young children, so ensure all packaging materials are out of their reach and disposed of safely.

Installation kit

The installation kit contains the following parts (shown not to scale):

Description	Part	Quantity
Rangehood		1
Screws (ST4x18 mm)		12

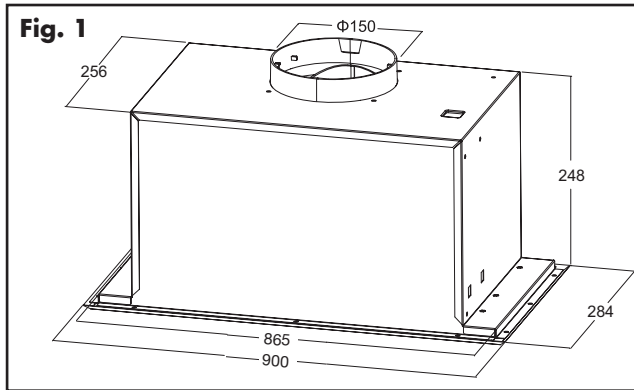
Installation (Cont.)

Important installation advice

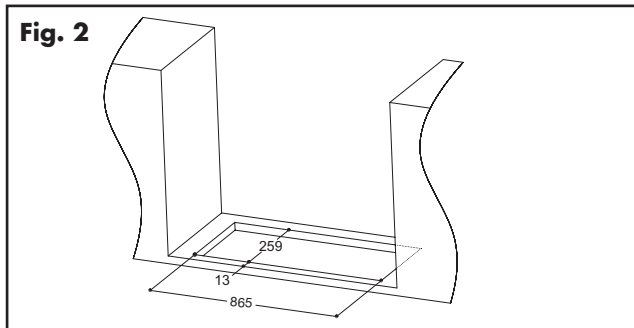
WARNING!

- All electrical work associated with the installation of this rangehood must be carried out by a licensed electrician. **Please note the details of your licensed installer on page 19 of this manual.**
- This rangehood must be correctly installed by a suitably qualified person in strict accordance with all applicable rules and regulations and following the instructions in this manual.
- Do not try to install the rangehood yourself; doing so will expose you to danger and void the warranty. Improper installation, adjustment, alteration or service can cause injury or damage. We decline any responsibility for injury or damage, to persons or property, as a result of improper installation.

Product dimensions



Cabinet cut-out

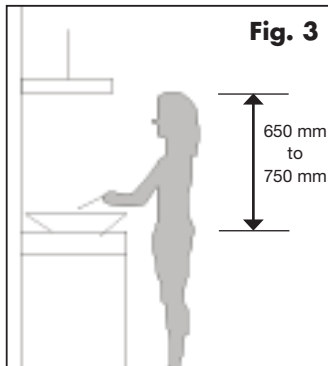


NOTE: All dimensions in Fig. 1 and Fig. 2 are in millimetres (mm).

Installation (Cont.)

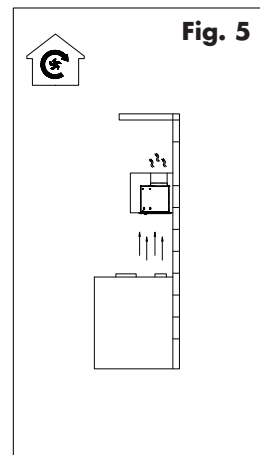
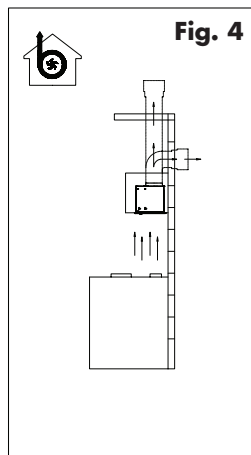
Installation height

This rangehood is designed for top-mounted installation in a cabinet above a cooking appliance. Mounting instructions follow on page 10. For optimum performance, the rangehood should be installed at a distance of 650-750 mm from the cooking surface (Fig. 3). (See Fig. 6, page 10, for detailed minimum distance requirements.)



Venting options

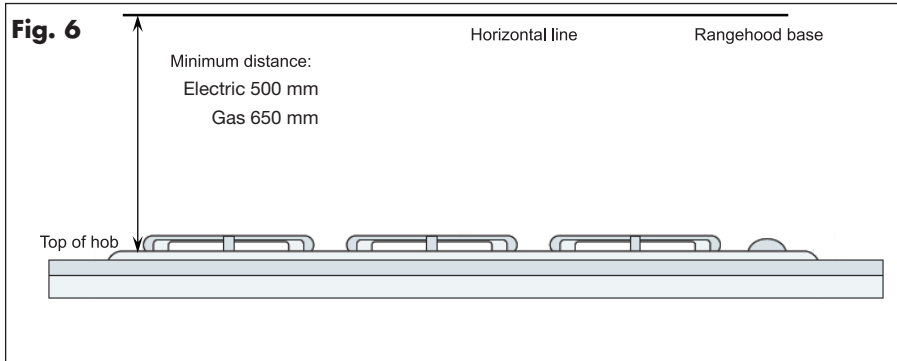
- Before installing the rangehood, please check and ensure that the two levers on the motor are set to the desired venting mode “DUCTING” or “RECIRCULATING”.
- Steam can be vented to the outside (Fig. 4, outdoor ducting mode), if you are able to knock a hole in the ceiling or wall for the exhaust ducting pipe. Alternatively, you can vent the steam back into the kitchen (Fig. 5, recirculating mode), using the odour-absorbing charcoal filters (for information on how to purchase these, see page 18).



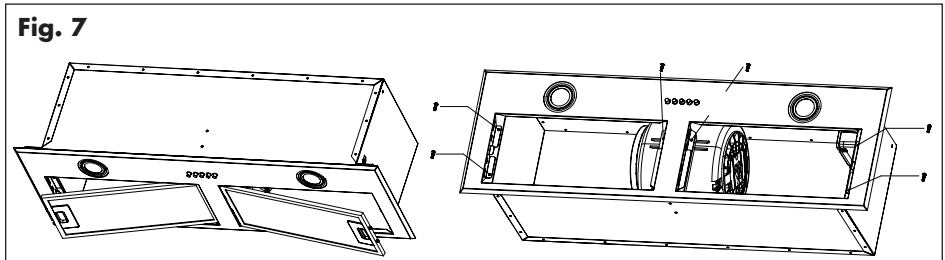
Installation (Cont.)

Mounting in a cabinet

- This rangehood is designed for top-mounted installation in a cabinet above a cooking appliance. For optimum performance, the rangehood should be installed at a distance of 650-750 mm from the cooking surface (Fig. 6). **The minimum required distance is 500 mm from an electric cooktop and 650 mm from a gas cooktop.**



- Press the lock catch on the right side of the metal vent, and carefully remove the filters (Fig. 7).
- Remove the stainless steel frame by unfastening the six screws (M4*10) (as shown in Fig. 7).

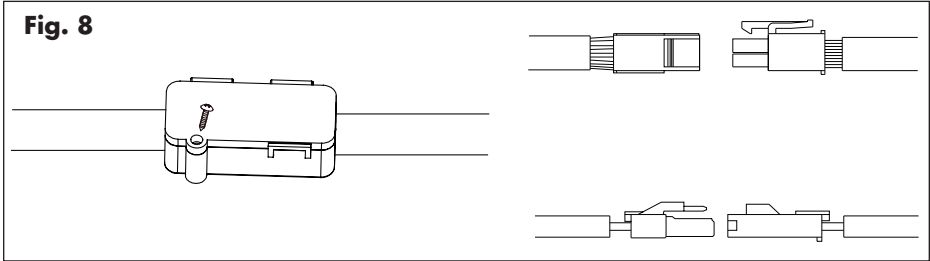


- You will also need to make an opening for the power cord and plug and, if the rangehood is to be ducted to the outside, a hole for the ducting.

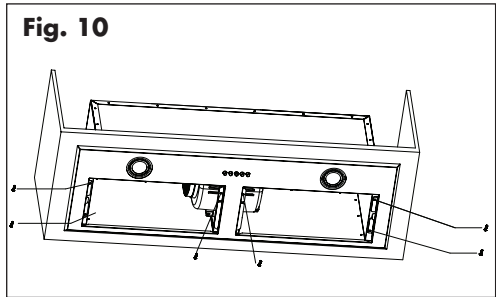
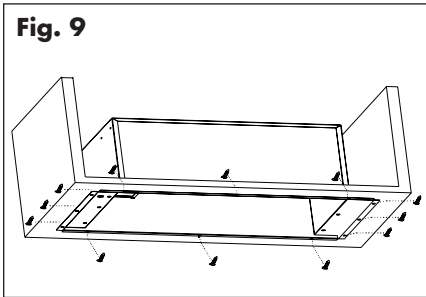
WARNING: Failure to install the screws or fixing device in accordance with these instructions may result in electrical hazards!

Installation (Cont.)

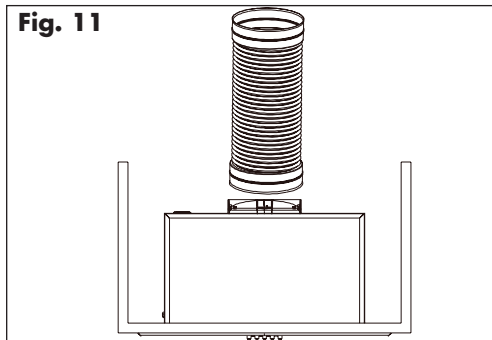
- Unfasten the ST4*10 screw and remove the lid of the terminal box.
- Disconnect the wires to the commands at the connectors. Repeat for the lights wires (Fig. 8).



- Fasten the hood to the cabinet using the 12 ST4*18 screws (Fig. 9).
- Screw the stainless steel frame back into place (Fig. 10).



- Reconnect the wires to the commands and light.
- Replace the metal filter.
- Optionally, you can now install the air outlet pipe (if you are using the ducting mode of filtration) (Fig. 11).

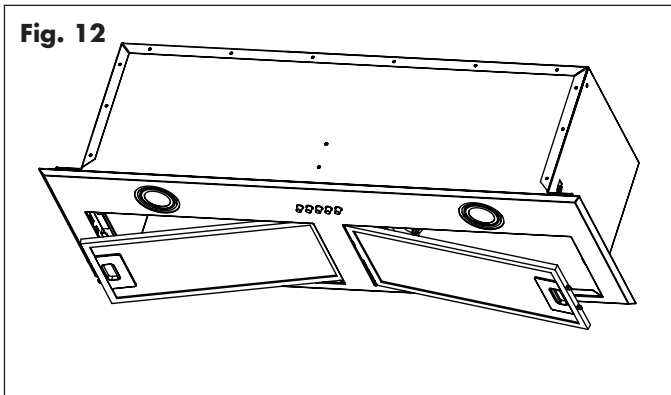


Installation (Cont.)

Outdoor ducting mode

This is the recommended extraction mode wherever possible for optimum performance. If you are able to install the exhaust duct to vent the air outside and operate your rangehood in outdoor ducting mode, proceed as follows:

- Remove the aluminium mesh filter from the underside of the rangehood (Fig. 12) and set the two levers in the centre of the motor housing to the “DUCTING” position (see Fig. 4).
- Ensure the plastic vent cover is in place.
- If charcoal filters have been installed, remove them (see instructions on page 13). The charcoal filters are not required for outdoor ducting mode.
- Install an appropriately sized exhaust ducting pipe to the outlet on the top of the rangehood and vent to the outside.



Installation (Cont.)

Recirculating mode

This mode is the default setting. The rangehood must operate with charcoal filters installed, as it will vent the air back into the kitchen. The vent cover should be removed when using this mode.

To ensure that the mode is correct, remove the aluminium mesh filters (Fig. 12) and check that the two levers are in the “RECIRCULATING” position (Fig. 5).

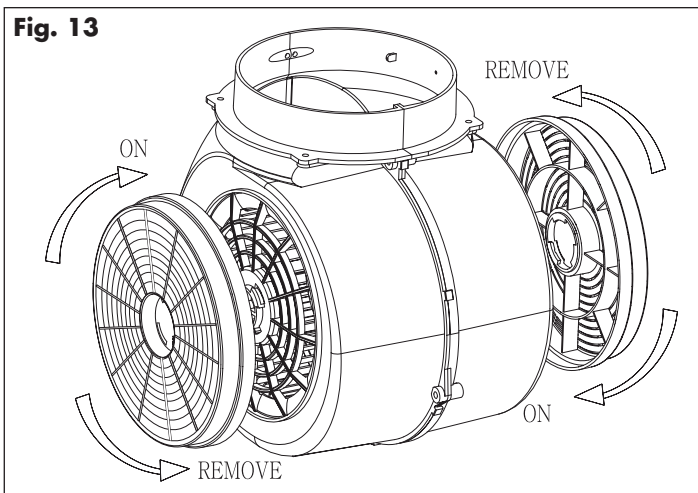
Charcoal filters

- If you intend to use the rangehood with the air recirculating back into the kitchen, it is important that you use the charcoal filters to absorb some of the cooking odours.
- To purchase these filters, please contact our after sales support team using the information at the bottom of the page.

Removing and installing charcoal filters

- To install the charcoal filters, first remove the aluminium mesh filters (Fig. 12), then align the charcoal filters with the centre of the motors, push upwards and turn clockwise (Fig. 13) until they lock into place.
- To remove the charcoal filters, first remove the aluminium mesh filters (Fig. 12), then turn anticlockwise and pull down as shown in Fig. 13.

NOTE: These charcoal filters cannot be washed and reused. When there is insufficient suction power, or the recirculated air starts to smell, please purchase and install replacement filters.



Instructions

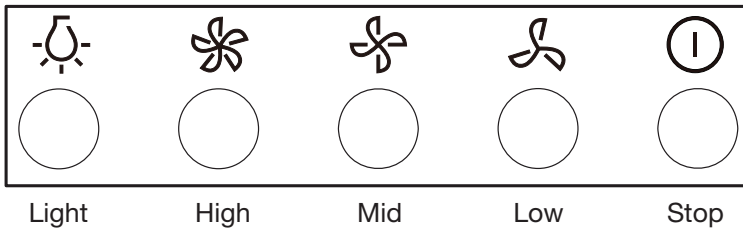
After the rangehood has been properly installed, insert the power plug into an appropriate electrical outlet and let the unit run for a few minutes prior to using it while cooking.

Switching on/off

Make sure the rangehood is properly connected to the power supply and the power is switched on at the outlet.

Control Panel

- Press the **Light** button to turn the two lamps on. Press this button again to turn the lamps off.
- Press the **High** button to run the fan motor at high speed.
- Press the **Mid** button to run the fan motor at medium speed.
- Press the **Low** button to run the fan motor at low speed.
- Press the **Stop** button to stop the motor from running.



FAQs & Troubleshooting Guide

If you experience problems with your rangehood, or it appears not to be operating correctly, check in the list below for answers to frequently asked questions. If none of the solutions offered help you solve your problem, please contact our after sales support centre for advice using the details at the bottom of the page.

Do not attempt to repair the appliance yourself!

Problem	Possible cause	Solution
The extractor fan does not work.	There is no electrical current in the network.	Check with other appliances that your electricity supply is in working order.
	The rangehood fan motors are switched off.	Check and ensure that the fan speed is set to “Low”, “Mid” or “High”.
	The slide-out panel has not been pulled out.	Make sure that the slide-out rail is pulled out.
	The wiring cable of the motor is disconnected	Check and re-connect the wires as per page 11.
There is insufficient suction power.	The aluminium mesh filters are clogged.	Remove and clean the aluminium mesh filters and reinstall them when they are dry.
	The charcoal filters need to be replaced.	If the rangehood is installed for recirculation, check that the charcoal filters are still effective. They need to be replaced if food smells start to become noticeable within your kitchen.
	The air outlet is blocked, or the exhaust duct is too long, bending too much or has collapsed.	If the rangehood is installed to vent outside, check that the ducting and outlets are free of blockages. Also ensure that the duct is in proper working condition.
	Insufficient ventilation.	Make sure your kitchen is adequately vented to allow the entry of fresh air.
The rangehood has switched off during operation.	The safety cut-out device has been tripped.	Turn off the rangehood and wait for the device to reset.
		If the rangehood has been installed below the height levels indicated in the “Installation” section, the motor will cut out frequently, which may damage the rangehood.
The lights do not work.	The lamps are loose, or burnt out.	Tighten the lamps, or replace them, if necessary.
	The wiring cable of the light is disconnected.	Check and re-connect the wires as per page 11.

Other Useful Information

Cleaning and maintenance

CAUTION!

- Before cleaning the rangehood or carrying out maintenance, make sure the operation and light switches are set to the “ 0 ” position and the rangehood is disconnected from the power supply.
- It is important to clean the filters regularly as oil and food residues can become a fire hazard.
- Never use a steam cleaner to clean any part of the rangehood.

Cleaning the rangehood exterior

Wipe the exterior surface of the rangehood regularly using a soft cloth moistened with a household solvent such as methylated spirits, or with a sponge dampened with water and a little non-abrasive liquid detergent.

Cleaning the filters

The aluminium mesh filters must be cleaned regularly in order to prevent a fire hazard. Regular cleaning also ensures better efficiency, as grease and grime can impede the airflow. We recommend cleaning them at least every two months.

- Push in the plastic opening latch and take the filter out of the frame (Fig. 17).
- Wash the filters thoroughly in warm, soapy water. For best results, leave them to soak, wash and rinse with warm water. The aluminium mesh filters may also be cleaned in a dishwasher (as long as the temperature is below 60 degrees and non-abrasive detergent is used). After cleaning, leave the filters to dry completely before reinstalling them into the appliance.

WARNING: Never reinstall the filters when they are still wet.

NOTE: The aluminum panels may slightly change colour after several washes. This is not a fault and no cause for concern. It does not affect performance and does not warrant replacement of these parts.

Other Useful Information (Cont.)

Charcoal filters

If you are using the rangehood with the air recirculating back into the room, two charcoal filters must be installed before use.

The charcoal filters absorb cooking odours and must be changed regularly. How often you need to change the filters depends on your usage. We recommend changing them every three to six months. An activated charcoal filter cannot be washed or recycled; it must be replaced with a new one.

To obtain replacement filters, contact our after sales support centre and arrange for purchase – see page 18 for details.

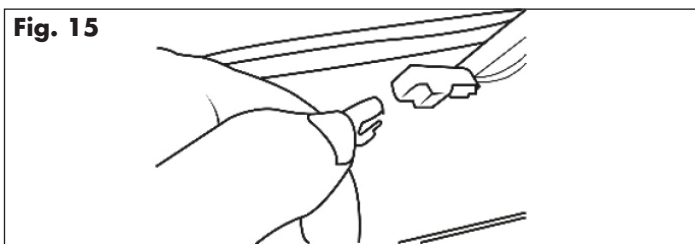
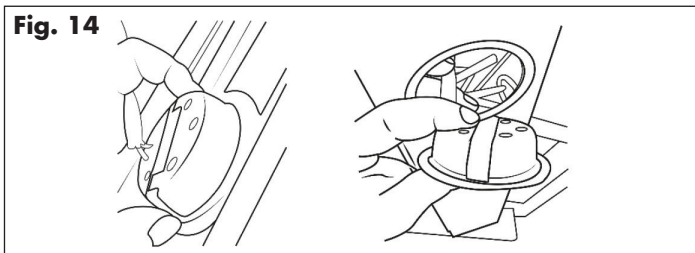
NOTE: The suction power will be lowered with charcoal filters installed.

NOTE: To remove and/or install new filters, please see page 13.

Replacing a light bulb

If the light bulb needs replacing, proceed as follows:

- Push in the plastic opening latch and take the filters out of the frame (Fig. 12).
- Carefully push the lamp from the inside to remove the lamp (Fig. 14).
- Disconnect the wires from the old lamp, and re-connect the wires to the new lamp (Fig. 15).
- **NOTE:** This new lamp must be of the same kind as the old lamp; 1.5 W LED, 12 V $\overline{\text{---}}$, with a diameter of 70 mm.
- Push the new lamp into place, and replace the metal filter.



Other Useful Information (Cont.)

Service, repair and spare parts

If the appliance is damaged, do not attempt to repair it yourself. If it requires repair or service, please contact our after sales support centre to arrange for examination and repair.

Our after sales support centre stocks a range of spare parts for the appliance. For more information, or to purchase a spare part, contact the centre using the details at the bottom of the page.

Technical specifications

Rated voltage / frequency	220–240 V~ / 50 Hz
Dimensions (approx.)	(H) 248 x (W) 900 x (D) 284 mm
Weight (approx.)	7.75 kg
Motor power	210 W
Lamp power	2 x 1.5 W
Rated power	213 W
Filters	2 Aluminium mesh filters

Compliance

This appliance has been fully tested and meets all requirements as set out by standards AS/NZS 60335.1 and AS/NZS 60335.2.31.



The RCM Mark (Regulatory Compliance Mark) indicates that the product complies with the relevant guidelines of the ACMA as well as corresponding government requirements for the safety of electrical devices.

Other Useful Information (Cont.)

Responsible disposal



Packaging materials are recyclable. Please dispose of them responsibly for recycling.



At the end of its working life, do not throw this appliance out with your household waste. Electrical and electronic products contain substances that can have a detrimental effect on the environment and human health if disposed of inappropriately. Observe any local regulations regarding the disposal of electrical consumer goods and dispose of it appropriately for recycling.

Contact your local authorities for advice on recycling facilities in your area. Or find recycling scheme services listed on Planet Ark's website at www.recyclingnearyou.com.au, or call Planet Ark on 1300 733 712.

Licensed installer/electrician details

We recommend that you ask your licensed installer/electrician to fill in the details below so you have them on record should you need to contact the installer in the future.

Please fill in the details below:

Name of licensed installer:

Licence number:

Date of installation:

Signature:

Warranty returns

Should you for any reason need to return this product for a warranty claim, make sure to include all accessories with the product.

Product does not work?

If you encounter problems with this product, or if it fails to perform to your expectations, make sure to contact our After Sales Support Centre on (AU) 1300 886 649 or (NZ) 0800 836 761 for advice.

Distributed by Tempo (Aust) Pty Ltd ABN 70 106 100 252

PO BOX 132, Frenchs Forest NSW 1640, Australia

Customer Helpline:

(AU) 1300 886 649 (NZ) 0800 836 761

Web Support: tempo.org/support

For an electronic copy of this manual, please contact our after sales support centre.